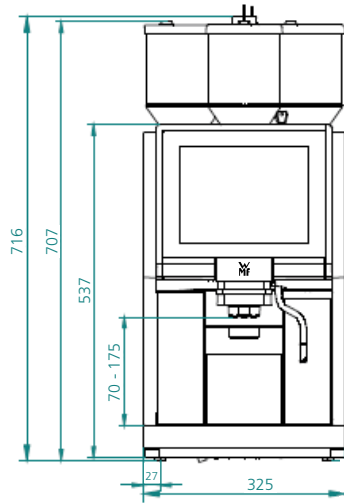


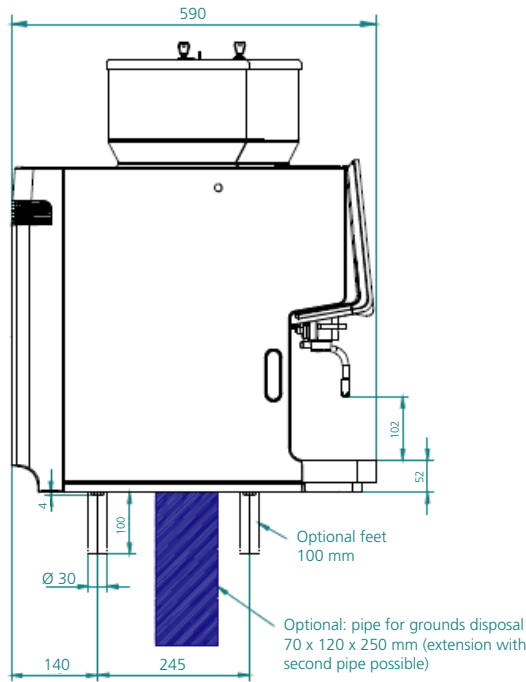
FRONT



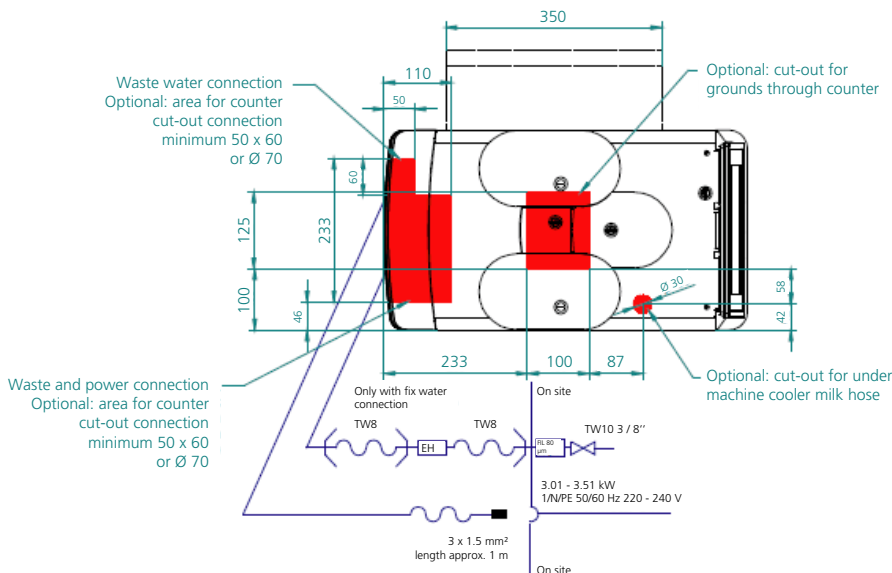
VISUAL



SIDE



TOP



SPECIFICATIONS

| | |
|--|-----------------------------|
| Nominal output/ power supply | 2.75 - 3.5 kW / 220 - 240 V |
| Recommended daily / max. hourly output* | Up to 250 cups |
| Coffee bean hopper(s) | 1100 g (550 g centered) |
| Choc or topping container | Approx. 1500 g |
| Dimensions (width / height** / depth) | 325mm / 716mm / 590mm |
| Empty weight, depending on fittings | Approx. 36 kg |
| Continuous sound pressure level (LpA)*** | < 70 dB (A) |
| Continuous Water Connection | 3/8" with tap |
| Waste Connection | Within 1m |

* Performance was recorded using a machine with fixed water supply and is dependent on cup size, quality settings, spout, model and nominal power rating. The basis for the recommended max. daily capacity is the respective selected service concept. These average values are provided as a guide. Let our trained WMF personnel put together a customised coffee machine solution for you. ** Height with bean hopper with lock, no lock. *** The A-weighted sound pressure level LpA (slow) and LpA (impulse) in the operating personnel's workplace is always under 70 dB(A) in every mode of operation. From 5° dKH (carbonate hardness), a WMF water filter must be fitted.

CONDITIONS FOR USAGE AND INSTALLATION

Necessary on-site preparatory work for electricity, water and drainage connections at the customer’s premises are to be arranged by the machine owner / operator. The work must be carried out by authorised installation technicians in compliance with general, country-specific and local regulations. The WMF service engineers may only connect the coffee machine to existing prepared connection points. WMF Service is neither authorised nor responsible for carrying out any on-site pre-installation work prior to connection.

| | |
|------------------------------------|---|
| Mains voltage tolerance range | 230 V +6 % and–10 %. Mains voltage interruption < 50 ms: no interruption of function |
| Water supply | 3/8 inch hose connector with mains tap, and filter with 0.2 to 0.25 mm mesh size, on site and within 1m from machine. At least 0.3 MPa (3 bar) flow pressure at 2 L/min (standard). Maximum 0.6 MPa (6 bar). Maximum inlet temp 35 °C. The set of hoses provided with the new coffee machine and/or the new water filter must be used. Do not use old hoses. |
| Water quality | BWT Water filtration (or equiv). water quality to be; TDS 100-120ppm, PH Level 7.0, Carbonate hardness below 4 °dKH, Chlorides below 20ppm. |
| Water drain tube (Plumbed) | Tube a minimum of DN 19, minimum downward slope of 40 cm/m |
| Ambient temperature | +5 °C to +35 °C |
| Maximum humidity | 80% relative humidity without condensation. Do not use device outdoors. |
| Degree of protection | IP X0 |
| Installation surface / water spray | The device must be placed and leveled on a horizontal, sturdy, water-resistant, and heatproof base. The device must not be cleaned using a water jet. The device must be installed where it is protected against water spray. The device must not located on a surface that is sprayed or cleaned with a water hose, steam jets, steam cleaner, or similar devices. |