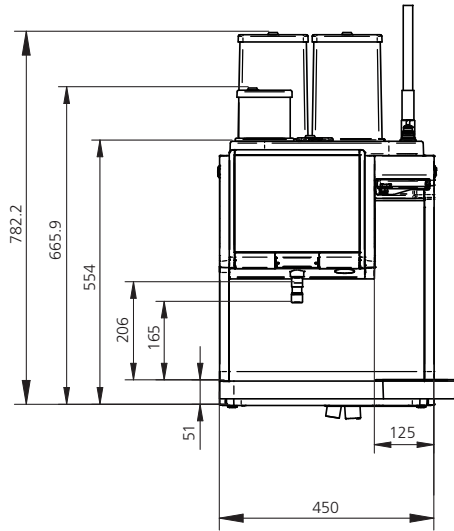


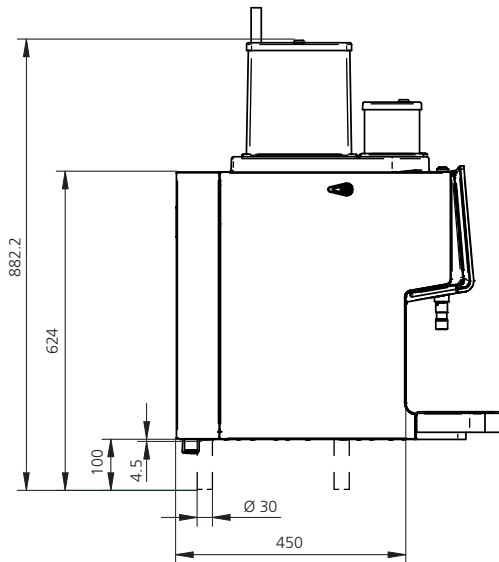
FRONT



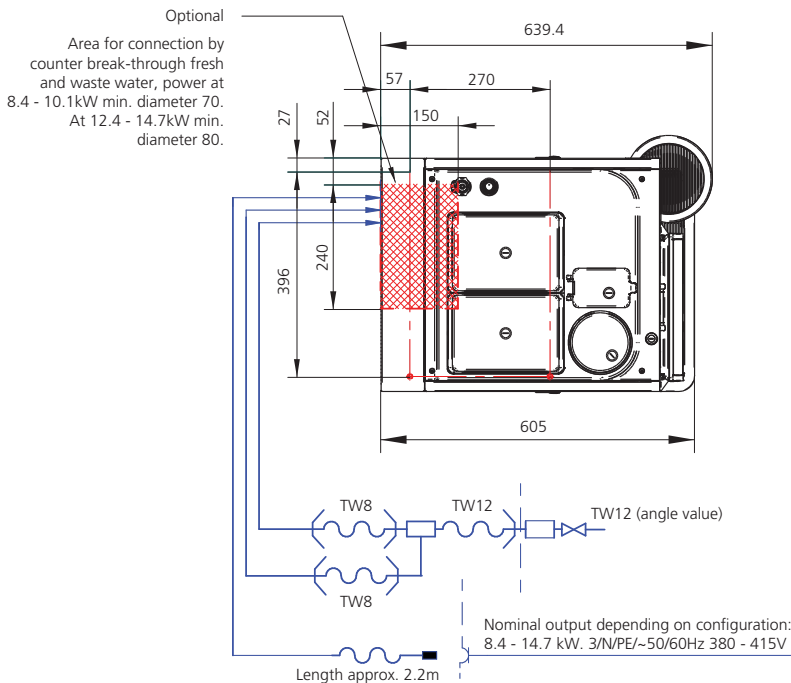
VISUAL



SIDE



TOP



SPECIFICATIONS

Nominal output	9.4 oder 13.5 kW
Max. hourly output	Approx. 72 (9.4kW) / 110 (13.5kW) liters
Coffee bean hopper(s)	Approx. 2.5 kg per filling
Mains power connection	Standard: 3/N/PE ~ 50/60Hz 380 - 415 V
Water connection	TW15 (DN 15 at least DN 6 resp. 1/4")
Dimensions (width / height* / depth)	450mm / 782mm / 605mm
Empty weight, depending on fittings	Approx. 65 kg
Continuous sound pressure level (LpA)**	< 70 dB (A)

* Height with 4 mm feet and with KMP-lid, no lock.
** The A-weighted sound pressure level LpA (slow) and LpA (impulse) in the operating personnel's workplace is always under 70 dB in every mode of operation (A).